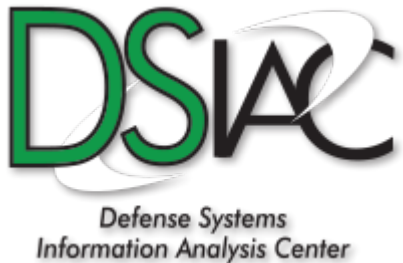


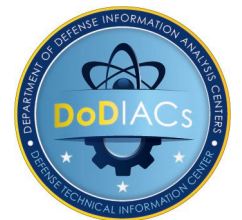
DoD Maintenance Manual Modernization in the Digital Age

December 2, 2020

Shawn Nelson
C-UAS Systems Project Manager
Aviation Subject Matter Expert



DSIAC is a DoD Information Analysis Center (IAC) sponsored by the Defense Technical Information Center (DTIC), with policy oversight provided by the Office of the Under Secretary of Defense (OUSD) for Research and Engineering (R&E). DSIAC is operated by the SURVICE Engineering Company.



Distribution A: Approved for Public Release; Distribution Unlimited



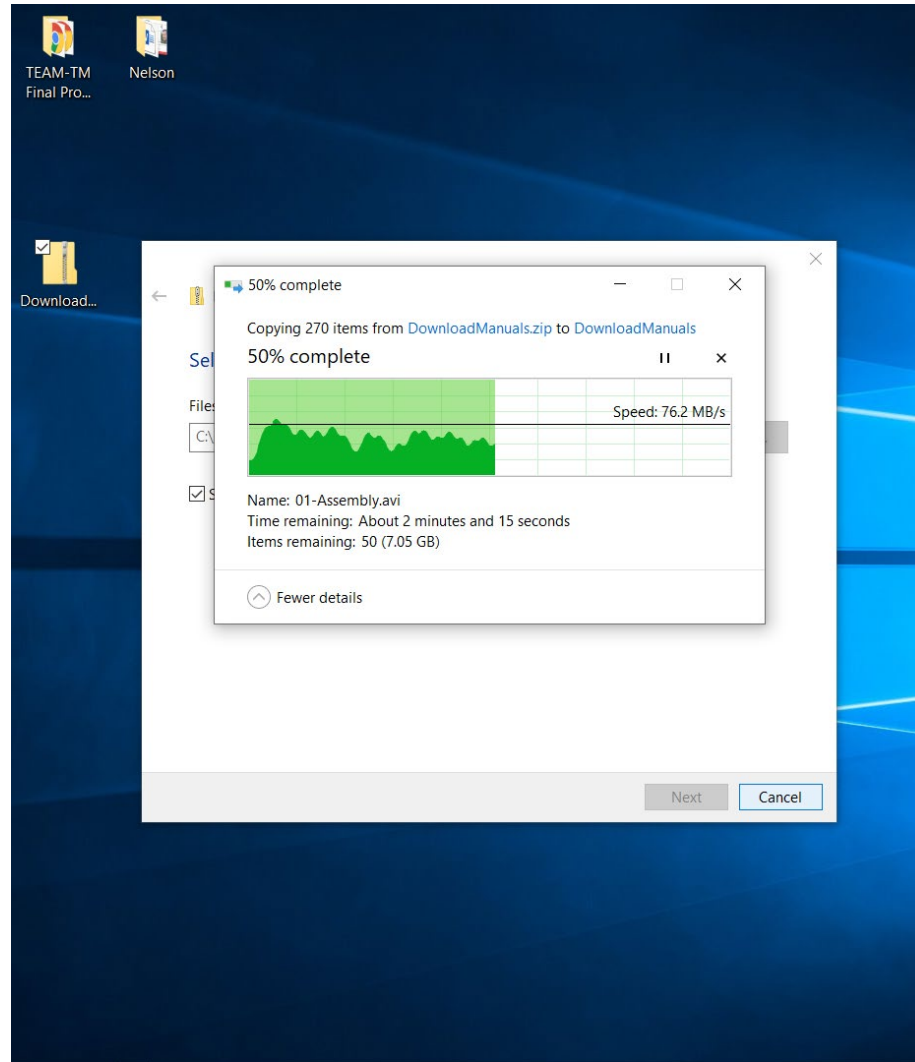
ENGINE-TO-TRANSMISSION ALIGNMENT



TEAM-TM INSTALLATION

Right click on the downloaded file and select “Extract All...”

File will extract to selected destination.

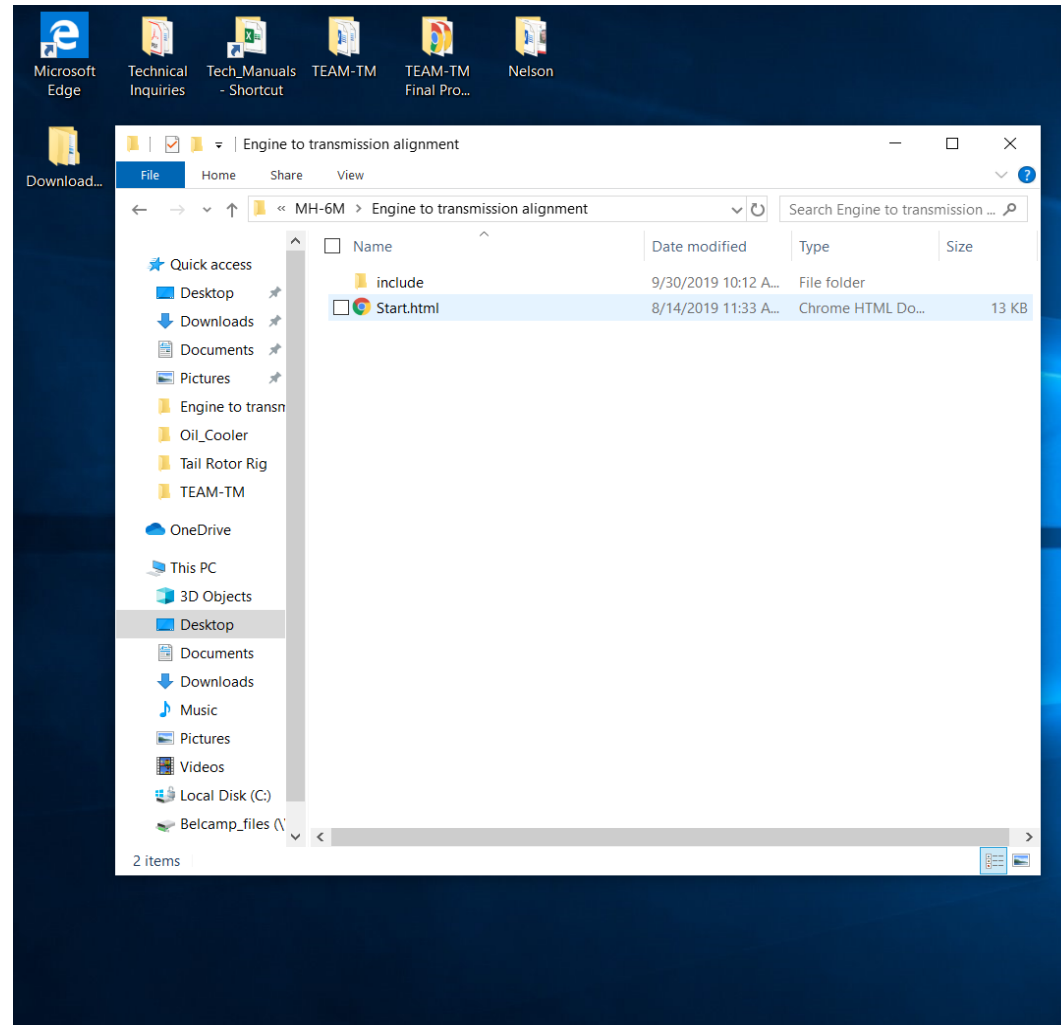


Select a destination and click “Extract.”

TEAM-TM INSTALLATION

Open the File to see the list of available aircraft. *Double click* on the desired aircraft.

Double click on the “Start.html” icon to open the procedure in your web browser. (The preferred browsers are Chrome and Firefox.)



The list of available procedures for selected aircraft is displayed. *Double click* on the desired procedure.

TEAM-TM START PAGE

START

REFERENCES

REQUIREMENTS

PROCEDURE

RESOURCES

HELP

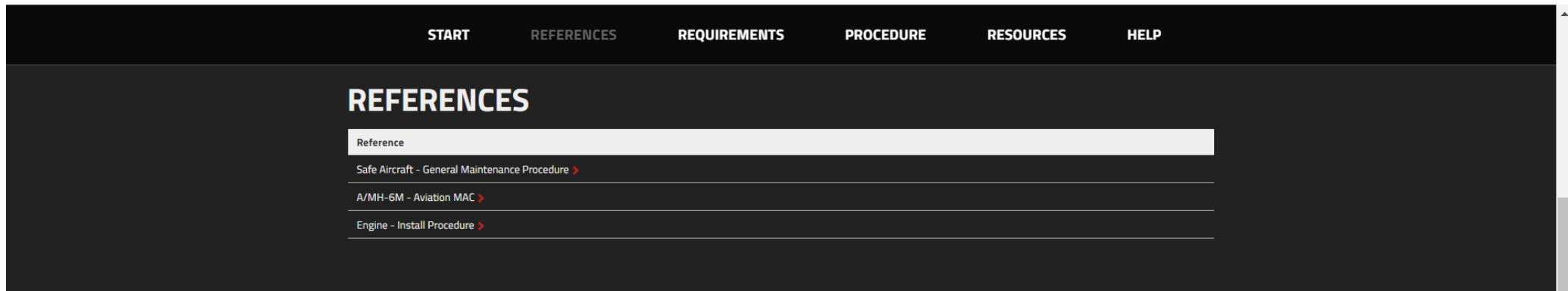


ENGINE-TO-TRANSMISSION ALIGNMENT INSPECTION

DSIAC



TEAM-TM REFERENCES PAGE



- Provides a list of all references used in the procedure.
- Each reference is hyperlinked to the document for quick reference.

TEAM-TM REQUIREMENTS PAGE



PRELIMINARY REQUIREMENTS

Required Conditions	
Action/Condition	Data Module/Technical Publication
Aircraft Safe for Maintenance	Safe Aircraft - General Maintenance Procedure >

Required Persons			
Quantity	Category	Skill Level	Trade/Trade Code
1	MH-6M Helicopter Repairer		

Spares	
None	

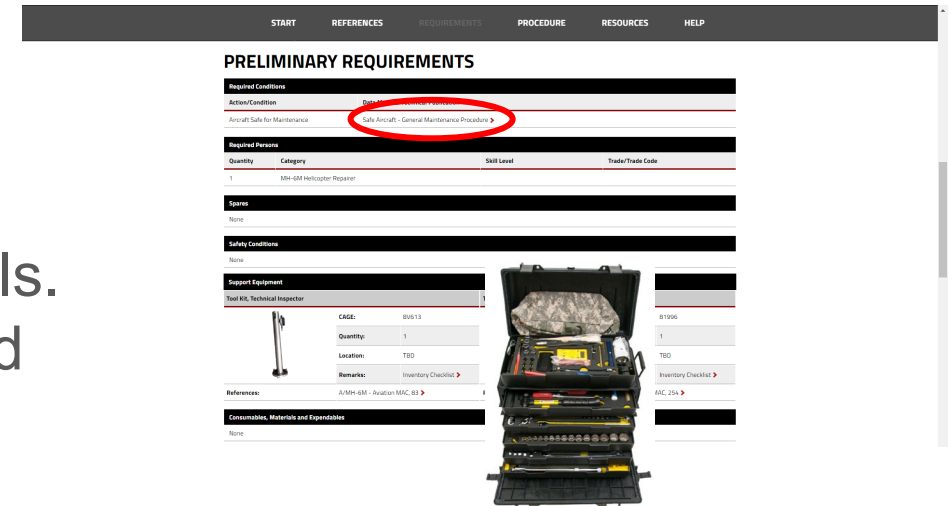
Safety Conditions	
None	

Support Equipment			
Tool Kit, Technical Inspector		Tool Kit, General Mechanic	
	CAGE: 8V613 Quantity: 1 Location: TBD Remarks: Inventory Checklist >		CAGE: 81996 Quantity: 1 Location: TBD Remarks: Inventory Checklist >
References:	A/MH-6M - Aviation MAC, 83 >	References:	A/MH-6M - Aviation MAC, 254 >

Consumables, Materials and Expendables	
None	

TEAM-TM REQUIREMENTS PAGE (CONT.)

- Provides a list of all required conditions to execute the procedure (hyperlinked).
- Additional requirements listed, including tools. Each tool has a picture that can be enlarged and a hyperlinked inventory checklist and reference.
- Consumables also include a photo that can be enlarged for reference.
- Job completion requirements lists hyperlinked supplemental procedures required to complete the task.




TEAM-TM PROCEDURE PAGE

START REFERENCES REQUIREMENTS PROCEDURE RESOURCES HELP

PROCEDURE

Engine-to-Transmission Alignment - Inspection

Related Figures: Figure 1 | 3D Rendering



0:30 / 1:25

NOTE
If there has been structural damage to the Cant. STA. 124.00 frame, engine mount fittings or mast base, engine-to-transmission alignment (1) should be checked. See Figure 1 (above video).

STEP 1
With engine and main transmission installed, attach engine alignment tool shaft (2) to main transmission input shaft (5) and install cone (3) on overrunning clutch coupling (4).

STEP 2
Preload dial indicator to 0.10 inch. Rotate tool shaft with indicator 360 degrees. Maximum runout is 0.050 inch.

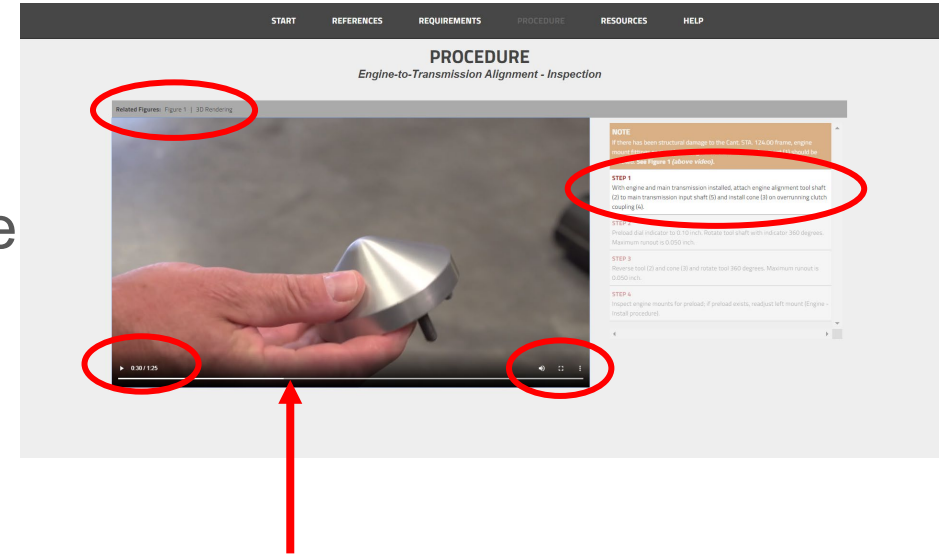
STEP 3
Reverse tool (2) and cone (3) and rotate tool 360 degrees. Maximum runout is 0.050 inch.

STEP 4
Inspect engine mounts for preload; if preload exists, readjust left mount (Engine - Install procedure).



TEAM-TM PROCEDURE PAGE (CONT.)

- Provides video of entire procedure.
- Video can be moved to any step of the procedure by selecting the text scrolling to the right of the video.
- Can be paused and resumed. Slider allows user to start video at specific time mark.
- Audio can be muted, and playback screen can be enlarged to full screen. Note: scrolling text will not be displayed during full screen playback.
- Figures and 3-D renderings can be selected at the top of the playback screen.



TEAM-TM RESOURCES PAGE

START

REFERENCES

REQUIREMENTS

PROCEDURE

RESOURCES

HELP

RESOURCES

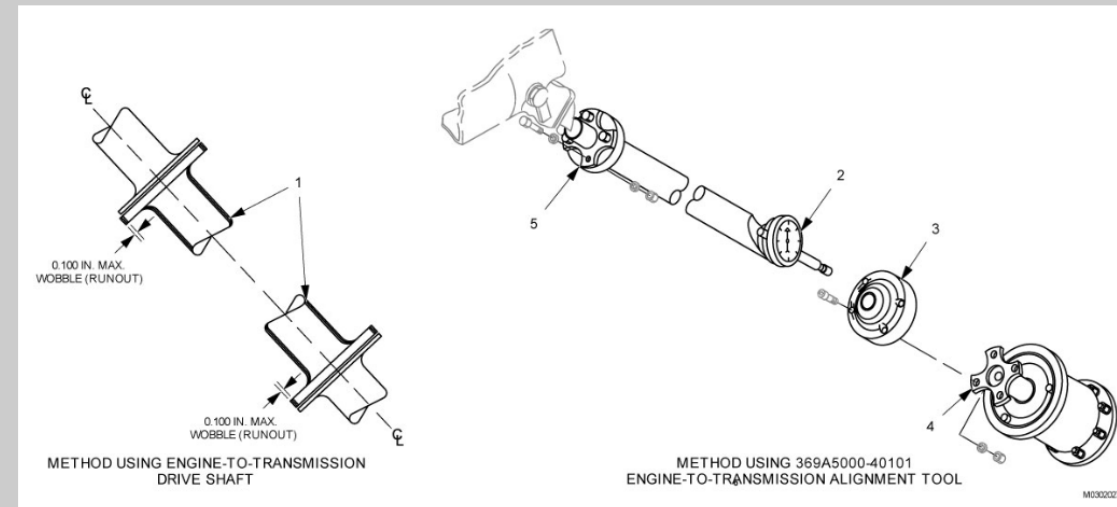
Related Figures and Links

[3D Rendering](#)

[Procedure Video](#) ▶

[A/R, V/R Tools: \(Future Support\)](#)

[Figure 1. Engine-To-Transmission Alignment Check](#) ▶



Credits

VERSION:
August 2019 - V1

DMC:
AH6-A-02-C1-0012-00A-280A-A

TEAM-TM RESOURCES PAGE (CONT.)

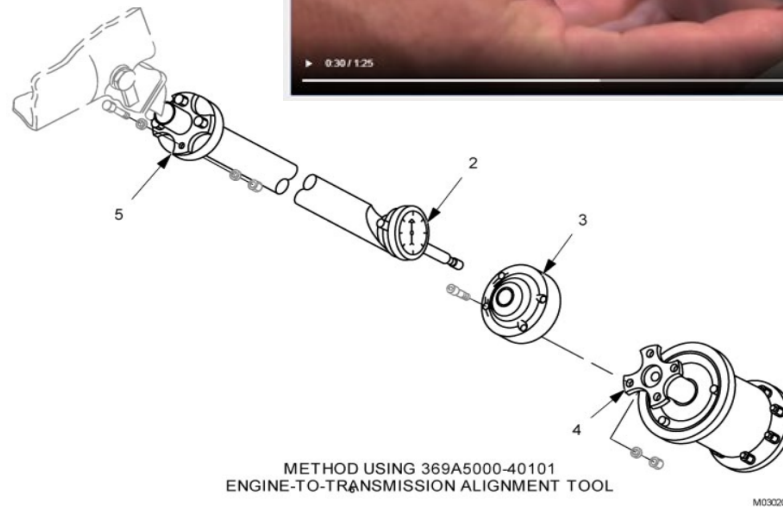
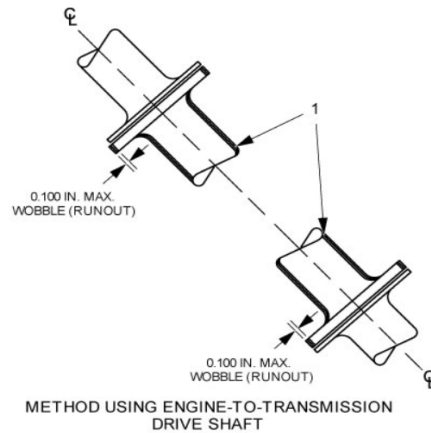
3-D CAD RENDERING

Click on the middle of this page to activate the rendering and trust this document under the options drop-down above.



(if nothing happens you may be viewing this in your internet browser. Please open in

3-D
Renderings
(opens in
PDF)



Figures



Video



TEAM-TM HELP PAGE

User manual that opens in PDF format.

HOW TO USE THE MANUALS 1 OF 1

INSTALL SOFTWARE

1. Start Windows Explorer
2. View the contents of the folder that contains the downloaded software files
3. Double-click the install/setup.exe file
4. Follow installation instructions to complete each prompt.
5. Delete the setup files after installing software
(Why delete files: Software distribution files can fill many megabytes of hard-disk space. After installing software, you no longer need these files. You can download another copy whenever needed.)

SOFTWARE REQUIREMENTS

Browsers	Status	Link
Chrome	Supported	Download
FireFox	Supported	Download
Internet Explorer/MS Edge	Limited Video Capability	
Safari	Unknown	
Opera	Unknown	

Applications	Status	Link
Adobe Reader	Supported	Download

GETTING STARTED

1. Ensure you download all the files in the global folder located at the root of the directory and put it on your machine.
2. Download the entire folder of the system that you need to review and put it in the same folder as the global folder. The file structure should look similar to the example below.
 - global
 - MH-6M
3. Open the system folder and all subfolder within until you see a "Start.html" file. Right click on the file and select "open with... Chrome"
4. This will load the initial file with all task requirements and from there you can navigate to the procedure and all supporting files
5. The procedure is a video tutorial with scrolling instructions that can navigate the video (only in Chrome and FireFox)
6. Please ensure that you go over all warnings and notes

PLEASE NOTE

1. To view all capabilities in a 3-D CAD Rendering, you must first download the packaged file, unzip it, and open it in Adobe Reader. **DO NOT** open it in your internet browser. Once you have trusted the document and click on the page, the model will be activated.
2. If you are unable to navigate the video by clicking on the steps, you are either using an unsupported browser or you have your JavaScript turned off. To enable it, go to Chrome settings (chrome://settings/). Click on "Advanced" at the bottom. Under "Privacy and Security," click "Site Settings" and click "JavaScript." Turn on "Allowed (recommended)."
3. For more assistance please email info@survice.com.



TEAM-TM CREDITS

Credits

VERSION: August 2019 - V1	DMC: AH6-A-02-C1-0012-00A-280A-A
PAGES FROM: TM 1-1520-A/MH-6M-23&P >	ACTIVE CONFIGURATION(S): BLOCK 2.2
CHANGE: 0	PREPARED BY: The Defense Systems Information Analysis Center (DSIAC)
DISTRIBUTION STATEMENT F Further dissemination only as directed by (inserting controlling DoD office)(date of determination) or higher DoD authority.	
For technical assistance please email info@survice.com >	

- Includes version number, hyperlinked TM, and distribution classification.
- Email link to SURVICE for technical assistance.